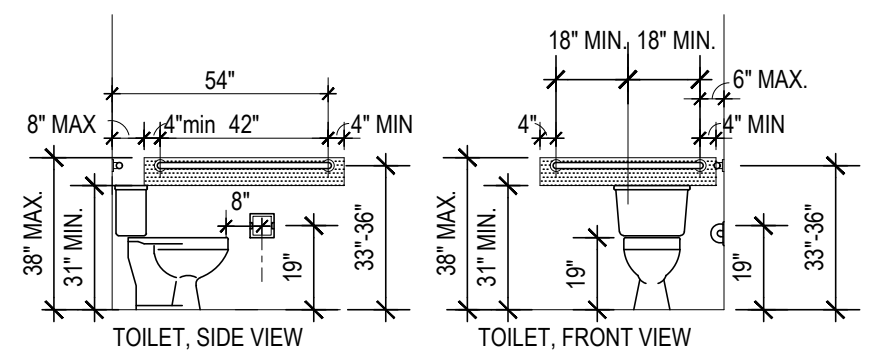


RESTROOM ACCESSORIES SCHEDULE				
MARK	ITEM	MANUFACTURER	MODEL NO.#	MOUNTING HEIGHTS
(A)	GRAB BARS	BOBRICK (OR EQUAL)	B-6806 x 36	3'-0" A.F.F.
(B)	GRAB BARS	BOBRICK (OR EQUAL)	B-6806 x 48	3'-0" A.F.F.
(C)	MIRROR	CUSTOM	-	3'-4" A.F.F. TO REFLECTIVE SURFACE, ANGLED
(D)	TOILET PAPER HOLDER	TORK SELECT	209305A	1'-6" TO DISPENSER
(E)	ADA SIGNAGE	TORK SELECT	209305A	5'-0" A.F.F.
(F)	BABY CHANGING STATION	KOALA KARE	KB101-05	62" A.F.F. TO TOP

- ### ACCESSORY NOTES
- G.C. TO FURNISH AND INSTALL SCHEDULED TOILET ACCESSORIES IN RESTROOMS.
 - G.C. SHALL INSTALL TOILET ACCESSORIES FURNISHED BY OWNER. SEE ACCESSORIES SCHEDULE.
 - G.C. SHALL PROVIDE ALL WALL REINFORCEMENTS NECESSARY FOR COMPLETE INSTALLATION OF TOILET ACCESSORIES AS RECOMMENDED BY MANUFACTURERS.
 - ALL ACCESSORIES MUST BE ADA COMPLIANT.
 - VERIFY MOUNTING HEIGHT OF TOILET TISSUE HOLDER PRIOR TO MOUNTING. HEIGHT MAY VARY DEPENDING ON UNIT FURNISHED BY OWNER.

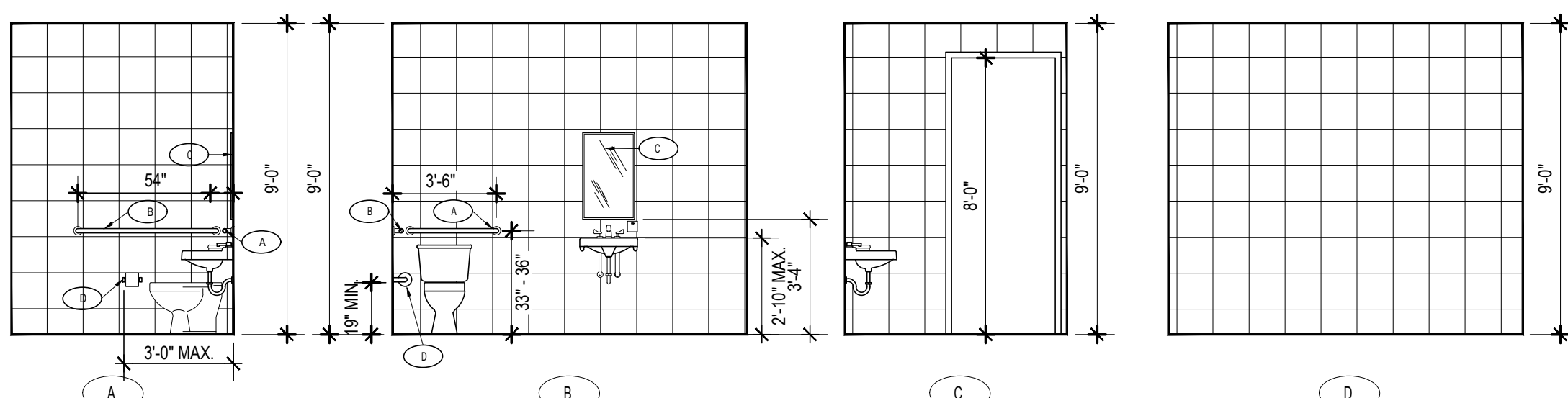
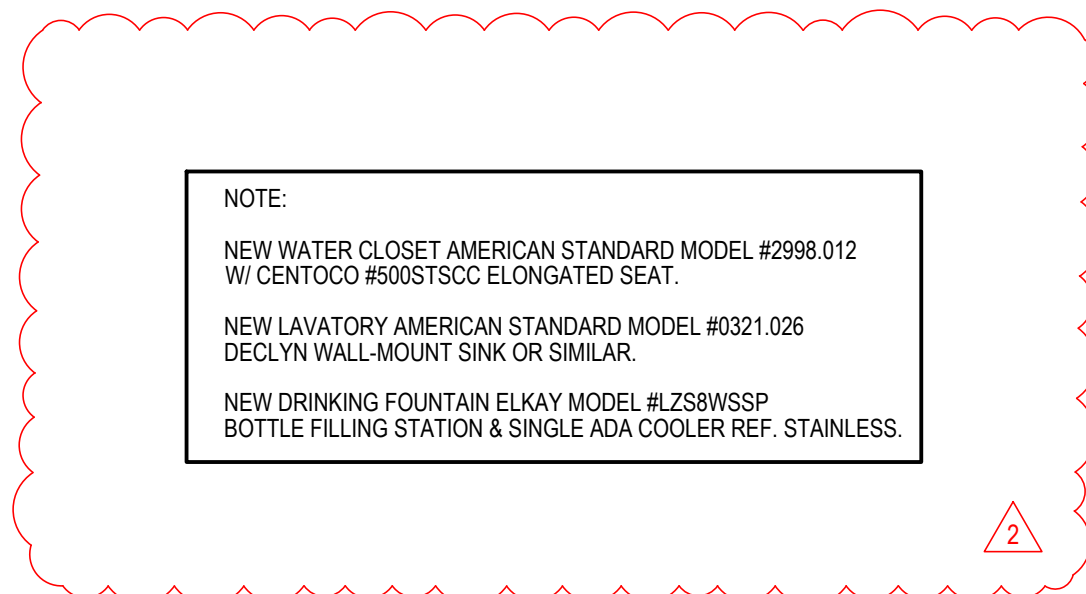
- ### ACCESSIBILITY NOTES
- G.C. HALL PROVIDE HANDICAP CODE COMPLIANT MENS & WOMENS DOOR SIGNAGE. SIGNS SHALL BE MOUNTED ON EXTERIOR SIDE (AS SHOWN ON INTERIOR ELEVATIONS) AND SHALL INCLUDE THE INTERNATIONAL SYMBOL OF ACCESSIBILITY.
 - FLUSH AND FAUCETS CONTROLS SHALL BE OPERABLE W/ONE HAND AND SHALL NOT REQUIRE TIGHT GRASPING OR TWISTING OF WRIST. THE FORCE TO ACTIVATE THESE CONTROLS SHALL NOT EXCEED 5 LBS.
 - FLUSH CONTROLS FOR TOILETS (AND URINALS WHEN APPLICABLE) SHALL BE MOUNTED ON THE WIDE SIDE OF THE TOILET, NO HIGHER THAN 44" A.F.F.
 - GRAB BARS SHALL NOT ROTATE WITHIN THEIR FITTINGS AND SHALL BE INSTALLED TO WITHSTAND A LOAD OF 250 LBS. OR GREATER.



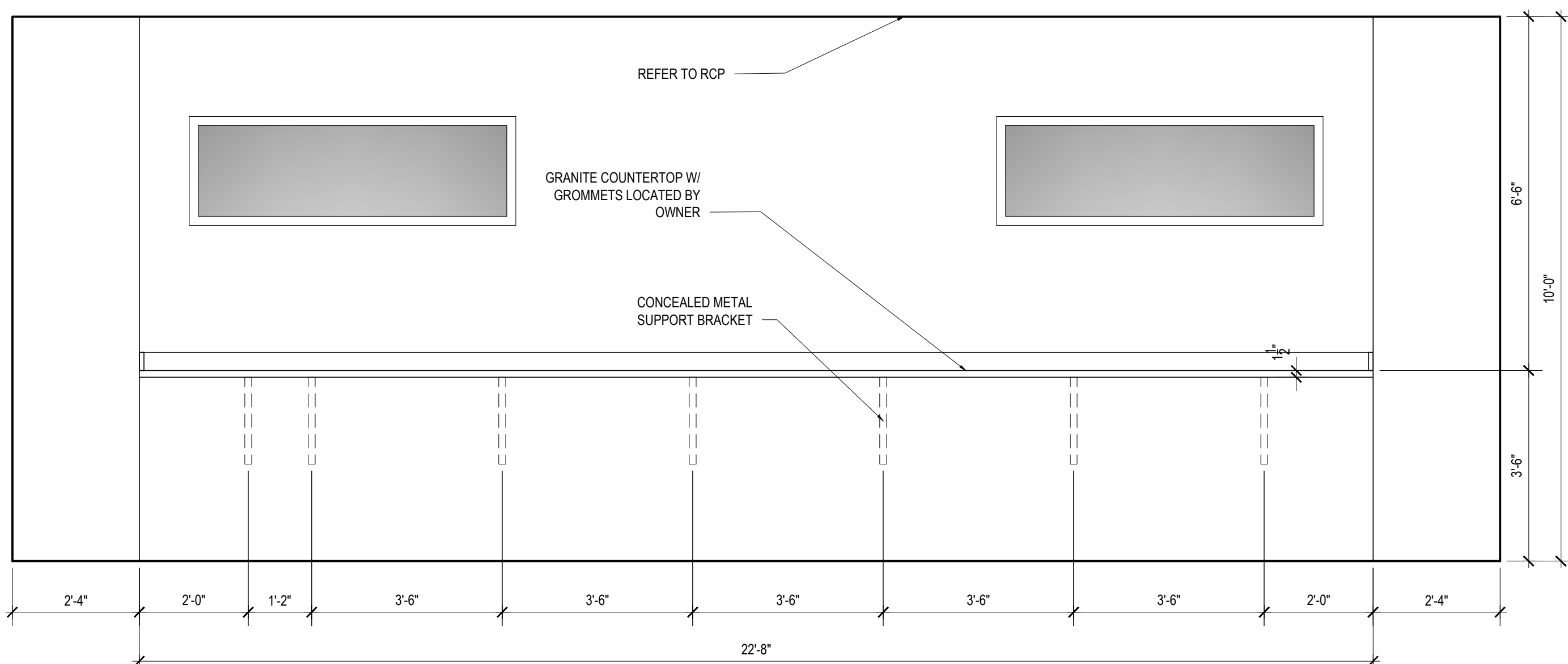
NOTE: PROVIDE 2x6 CONCEALED WOOD BLOCKING BETWEEN STUDS EXTENDING TO LIMITS OF SHADED AREAS FOR ATTACHMENT OF HANDICAP GRAB BARS. ENDS OF BLOCKING MUST OCCUR AT A STUD. ALL WOOD BLOCKING IS TO BE FIRE TREATED WHERE SPECIFIED.

BLOCKING DETAIL

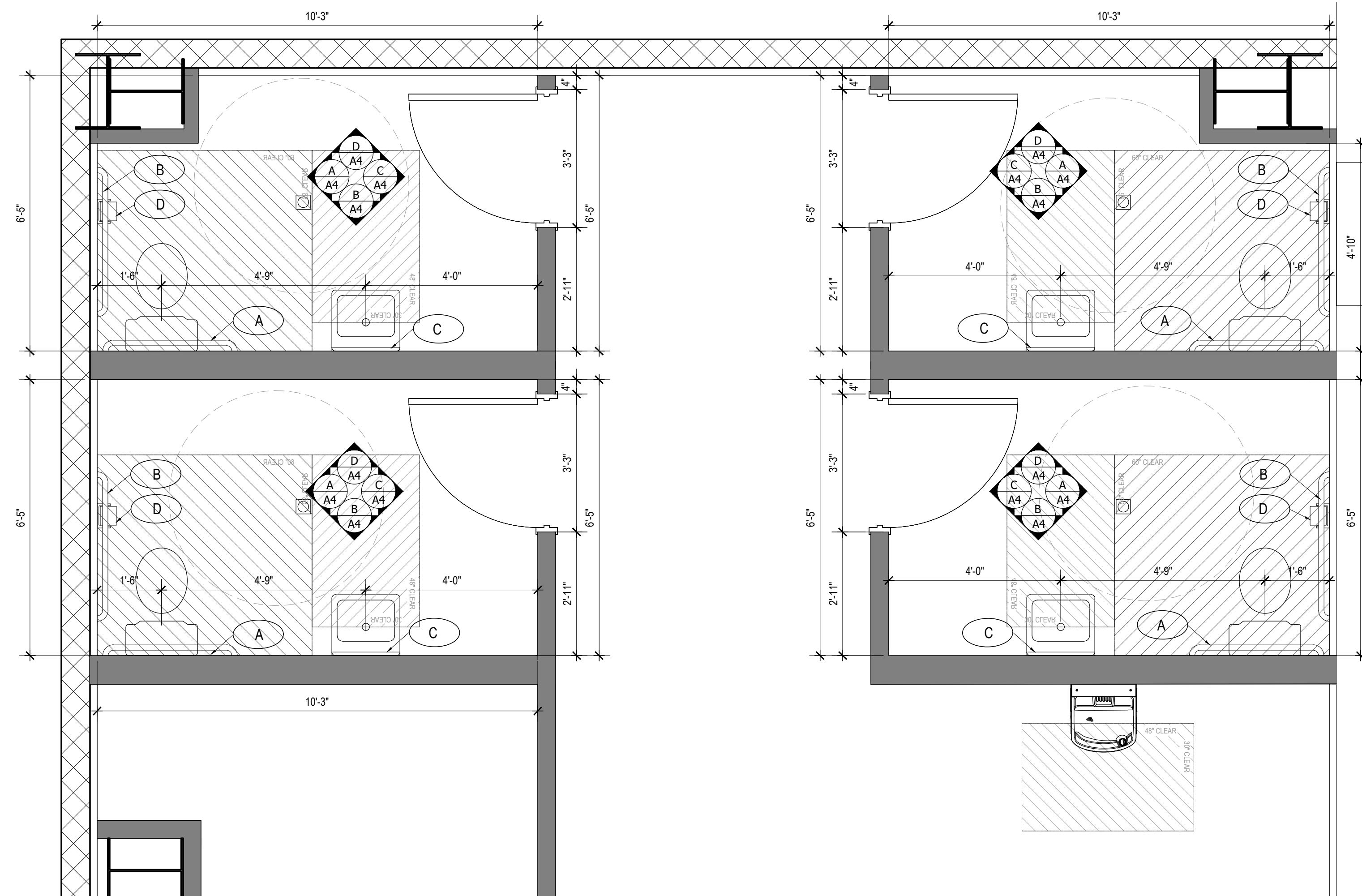
SCALE: 1/4" = 1'-0"



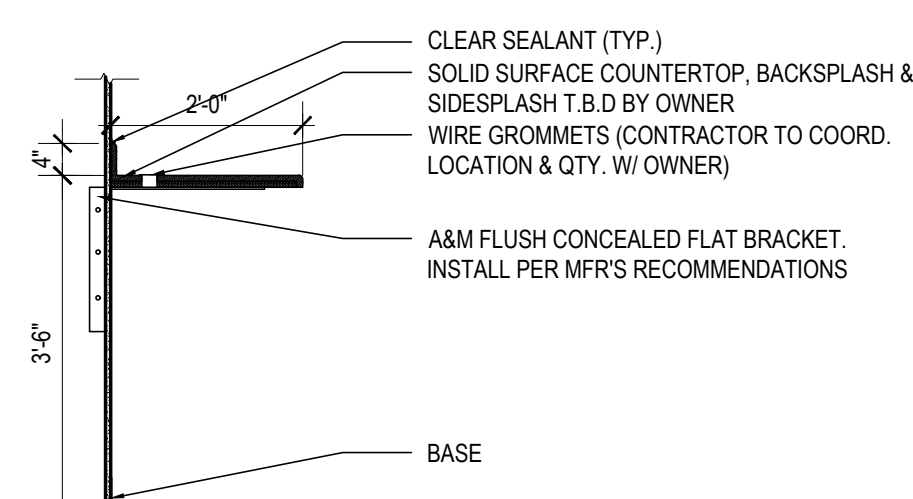
2 RESTROOM ELEVATIONS
 SCALE: 1/4" = 1'-0"



3 ENLARGED CABINET DETAIL-TEEN CENTER
 SCALE: 1/2" = 1'-0"



1 ENLARGED RESTROOM PLAN
 SCALE: 1/2" = 1'-0"

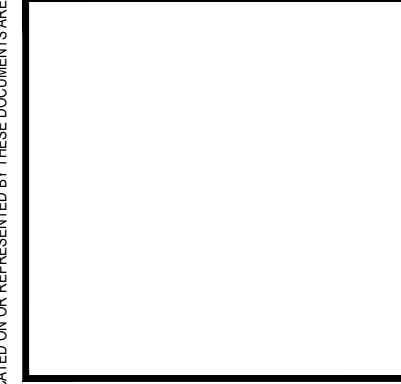


REVISIONS	
1	REVISION 5-8-24
2	REVISION 6-7-24

CONSTRUCTION DOCUMENTS FOR
BOYS & GIRLS CLUB-ADDITION
 1900 PARK MEADOWS DR. FORT MYERS, FL 33907
 PARCEL ID: 14-45-24-00003.005B

PDS ARCHITECTURE INC.
 12800 UNIVERSITY DR. SUITE 402
 FT MYERS, FL 33907
 FL LICENSE # 97143
 PH: 239.437.8090
 FX: 855.835.2733
 INFO@PDSinonline.com

DATE: 8-29-23
 TITLE: DETAILS/ SCHED



SHEET NO.
A4

ALL DESIGN, DESIGN AND PLANS INDICATED ON OR REPRESENTED BY THESE DOCUMENTS ARE OWNED BY AND ARE PROPERTY OF PDS ARCHITECTURE INC. PDS ARCHITECTURE INC. HEREBY EXPRESSLY RESERVES ITS COPYRIGHT AND OTHER PROPERTY RIGHTS IN THESE DOCUMENTS. THESE PLANS AND DRAWINGS ARE NOT TO BE REPRODUCED, CHANGED OR COPIED IN ANY FORM OR MANNER WITHOUT THE WRITTEN PERMISSION AND CONSENT OF PDS ARCHITECTURE INC. NO PART HEREIN IS TO BE ASSIGNED TO ANY PARTY WITHOUT FIRST OBTAINING THE WRITTEN PERMISSION AND CONSENT OF PDS ARCHITECTURE INC.